

DATE  
FEBRUARY 23, 2007  
CATALOG NO.  
DHP04025

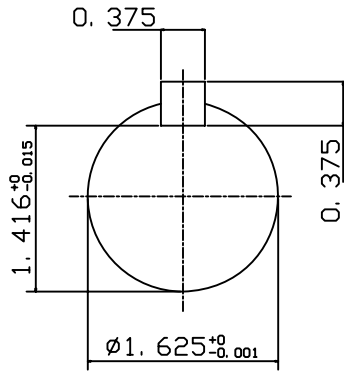
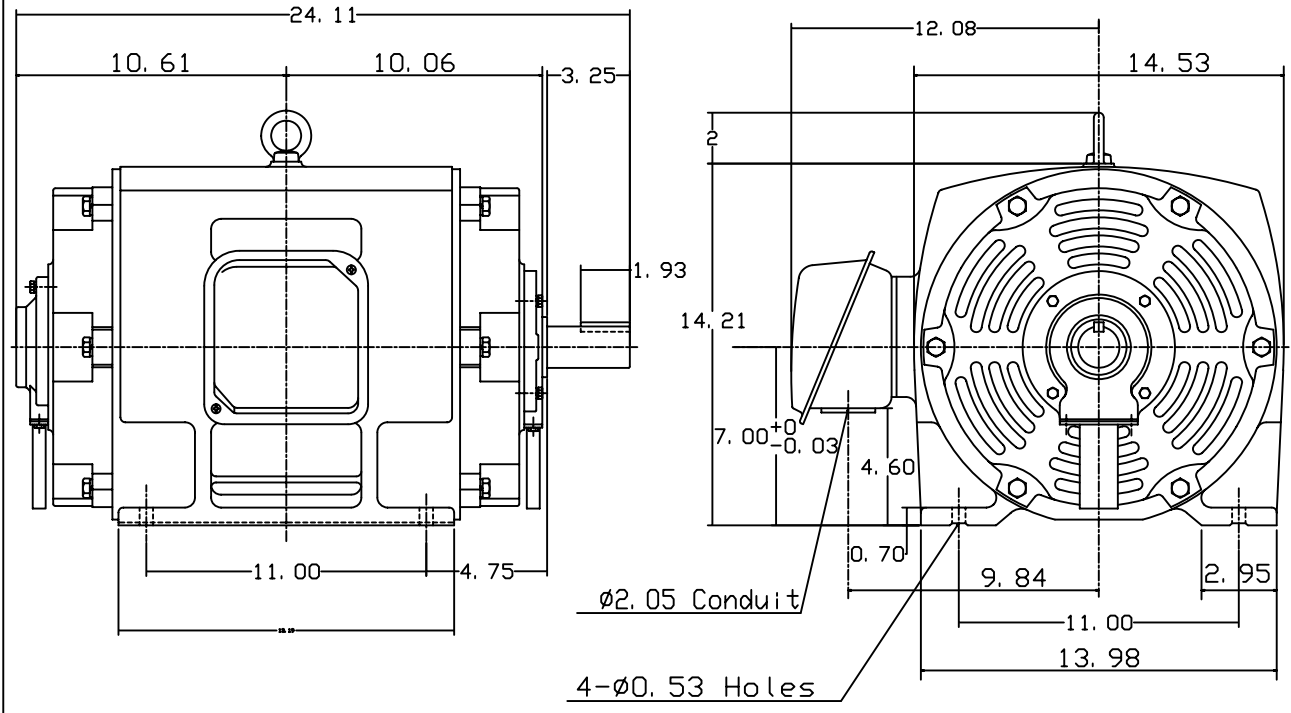
OUTLINE DIMENSIONS  
3-PHASE INDUCTION MOTOR

MOTOR TYPE:  
ASHH  
FRAME NO. 286TS

| Pole | HP | KW | Hz | VOLT | Syn. Speed<br>RPM |
|------|----|----|----|------|-------------------|
| 2    | 40 | 30 | 60 | 575  | 3600              |

| Ins | Rating | Dimension in | Approx Weight | Bearings               |
|-----|--------|--------------|---------------|------------------------|
| F   | CONT.  | inch         | 412 lbs.      | DE: 6212C3 NDE: 6211C3 |

Open Protected Drip-Proof Type. Squirrel-cage Rotor.



|   |  |  |
|---|--|--|
| ◇ |  |  |
|---|--|--|

|       |             |          |
|-------|-------------|----------|
| DWN.  | J. H. LIANG | 12-22-98 |
| CHKD. | C. H. KAO   | 06-10-99 |
| APPD. | Y. B. HUANG | 06-10-99 |



DWG NO.  
31057H387000